

RUIHAOTM

LED STREET LIGHT SERIES

Housings/SKD

Taurus
2021



RUIHAOTM
OVHIN

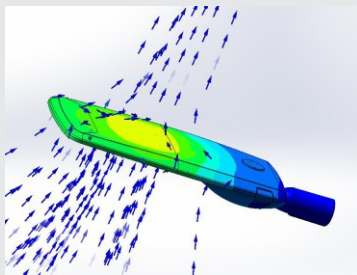
NINGBO RUIHAO LIGHTING ELECTRIC CO., LTD

OVERVIEW

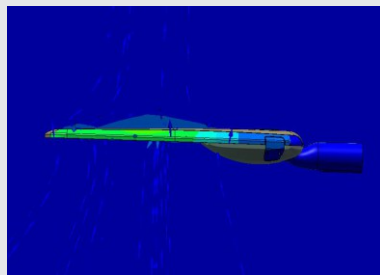


THERMAL MANAGEMENT

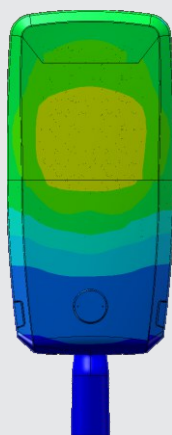
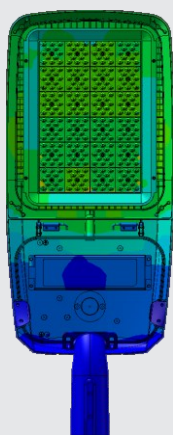
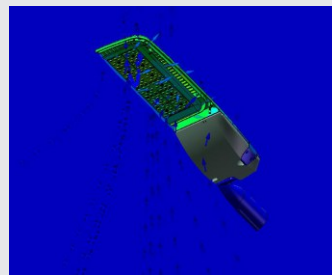
Structure is optimized by advanced FEA technology. Achieving longer lifespan at best cost-efficiency.



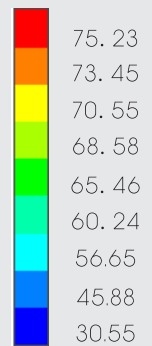
Thermal Air Convection



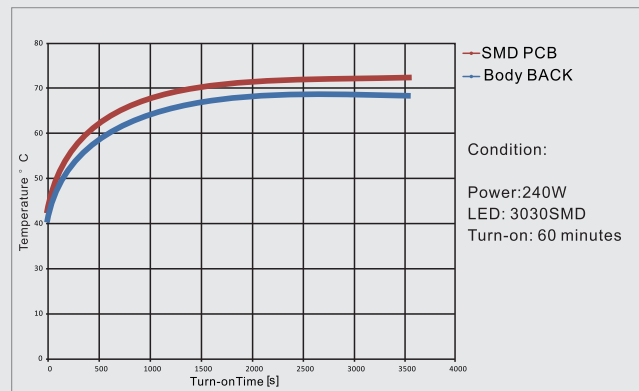
Thermal Air Flow



Thermal Conductivity



Unit: °C



Temperature Rise Curve

EXPLODED



Optional with sensor

ADC12 Die-casting aluminum body
thermal efficiency up to 96w/m.k.

High efficiency aluminum PCB.

High lumen 3030 SMD light source.

Anti-yellowing optical lens.

Nano-plastic reflector.

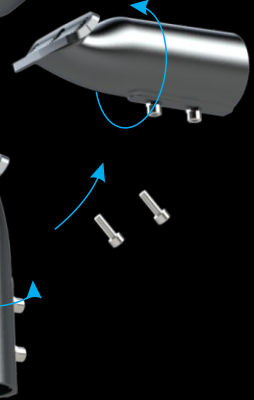
Waterproof silica gel.

Tempered glass cover.

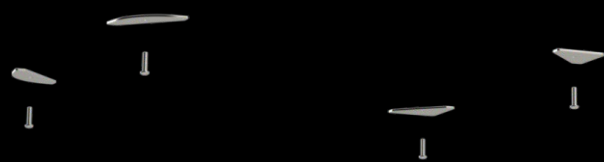
Waterproof silica gel.

PHILIPS

Compatible with famous brand
LED drivers



Strong installation holder.



Sensor



Easy Maintenance.

Tool-free operation



Large space for LED
drivers.

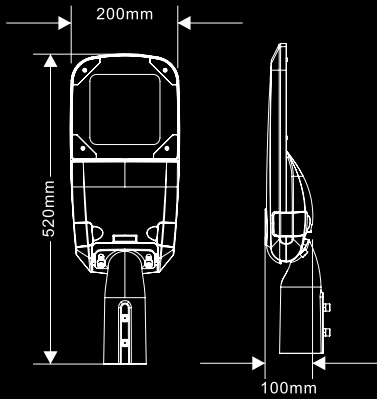
APPLICATIONS

RUIHAO™
Housings/SKD

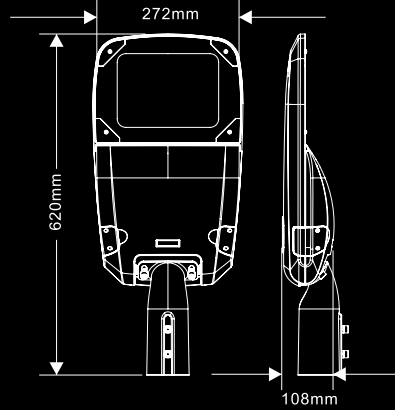


Widely applicable to roads, express ways, parks, plazas, villas and other strong wind rural mountain areas.

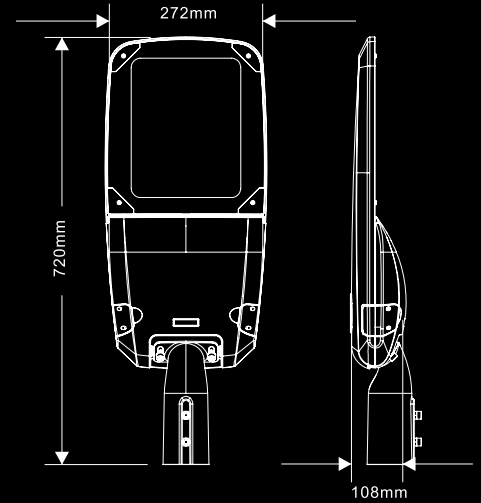
DIAGRAM



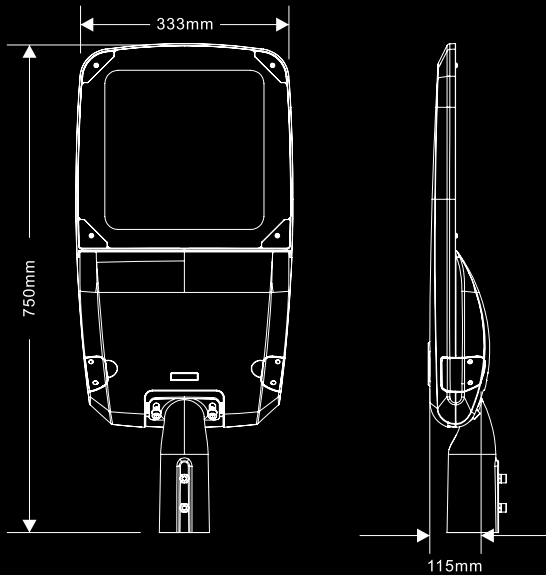
30W



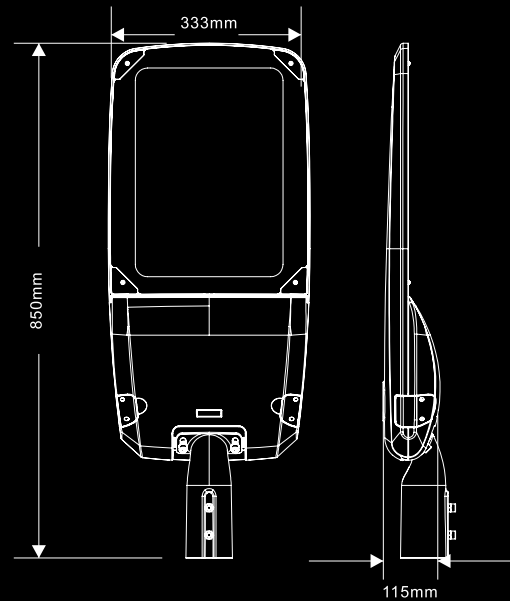
60W



120W



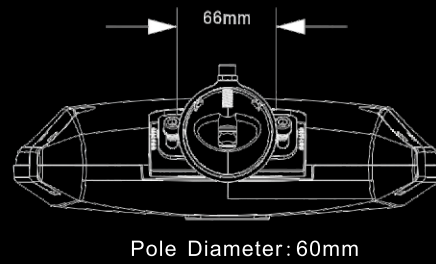
160W



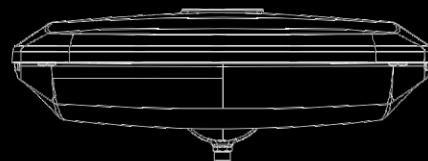
240W



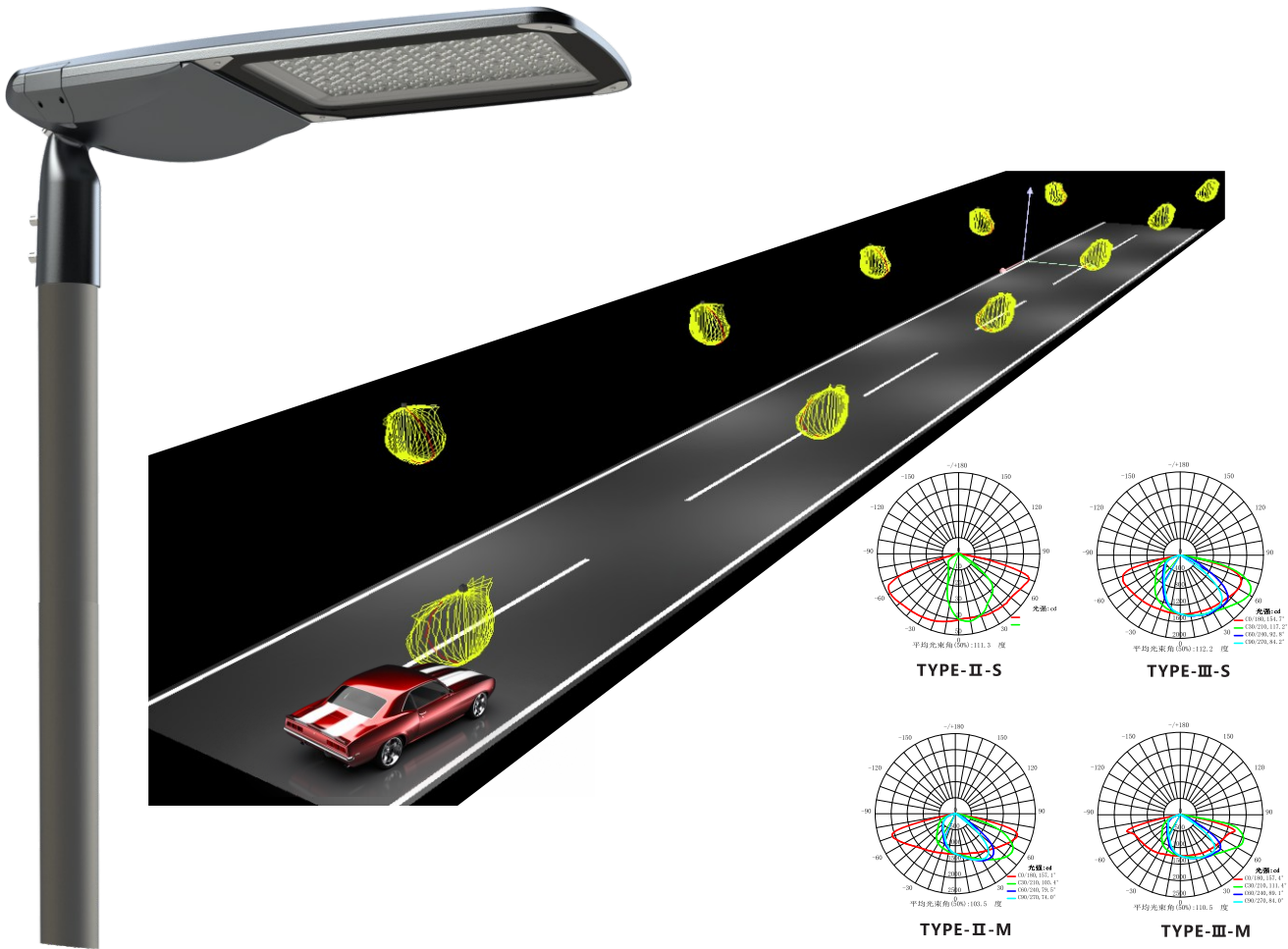
Streamline Shape
Wind-proof Design



Pole Diameter: 60mm



OPTICS



GENERAL PARAMETERS



Housings/SKD

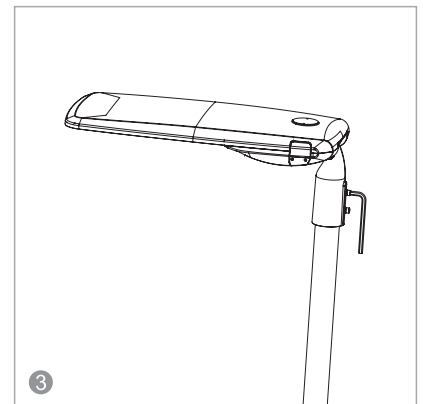
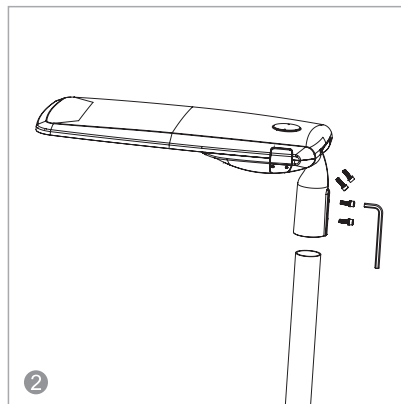
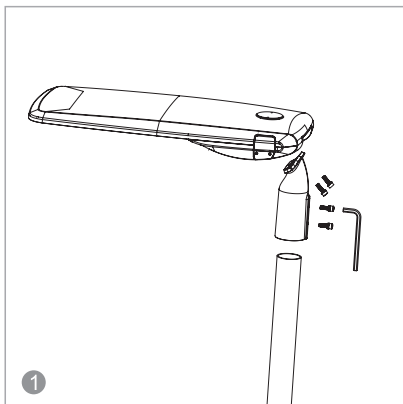
Model No.	30-60	60-80	120-150	160-200	240-300
Power	30W	60W	120W	160W	240W
Inner Box Size	520*200*100mm	620*272*108mm	720*271*108mm	750*333*115mm	850*333*115mm
Package Dimensions	560*240*135mm	660*310*145mm	760*310*145mm	790*370*150mm	890*370*150mm
Weight (N.W)	2.4kg	3.7kg	4.5kg	5.7kg	7.7kg
LED Qty(PHILIPS)	SMD3030 64PCS	SMD3030 96PCS	SMD3030 192PCS	SMD3030 256PCS	SMD3030 384PCS
Power supply	PHILIPS 65W	PHILIPS 65W	PHILIPS 100W	PHILIPS 150W	PHILIPS 240W

INSTALLATION INSTRUCTIONS

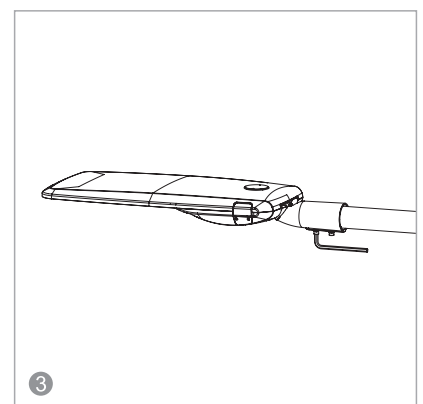
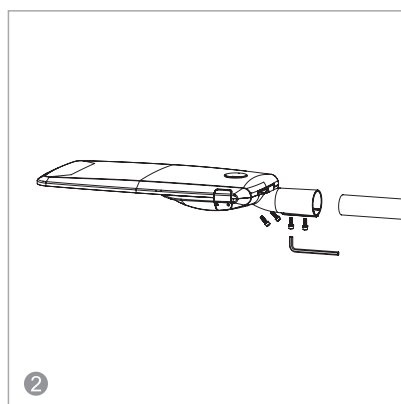
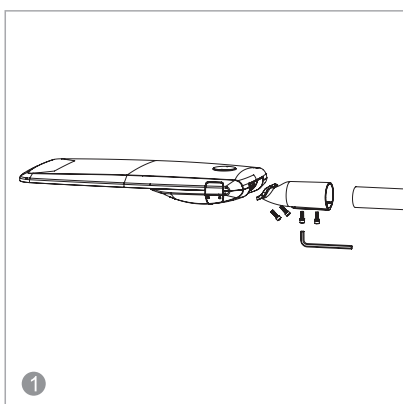
Two installation methods.



Steps for Vertical Installation



Steps for Horizontal Installation



Features

1. Streamline shape, anti-wind.
2. ADC12 Diecasting aluminum body.
3. Compatible with 3030 SMD.
4. Horizontal/Vertical installation.
6. Optional with sensor
7. IP65 Waterproof for outdoor use.
8. Precision road lighting distributions.



PACKAGING:

